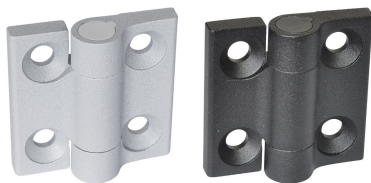


## Hinges • Zinc die-cast, with indexing positions

EH 25164.



## Product Description

Hinges from zinc die-cast with indexing positions hold door and covers in fixed positions. It avoids undesired automatic closing or opening. This is an advantage for example when filling machines and facilities or during maintenance and repairs.

The version with the indexing positions  $-3^\circ$  and  $117^\circ$  (picture 2) also ensures that the door or cover presses slightly against the housing frame by the  $-3^\circ$  when closed.

These hinges from zinc die-cast are characterised by their simple and timeless design.

## Material

## Body

- Zinc die-cast, plastic coated, silver, similar to RAL 9006, matt structure
- Zinc die-cast, plastic coated, black, similar to RAL 9005, matt structure

## Axis

- Stainless steel 1.4305

## Spring

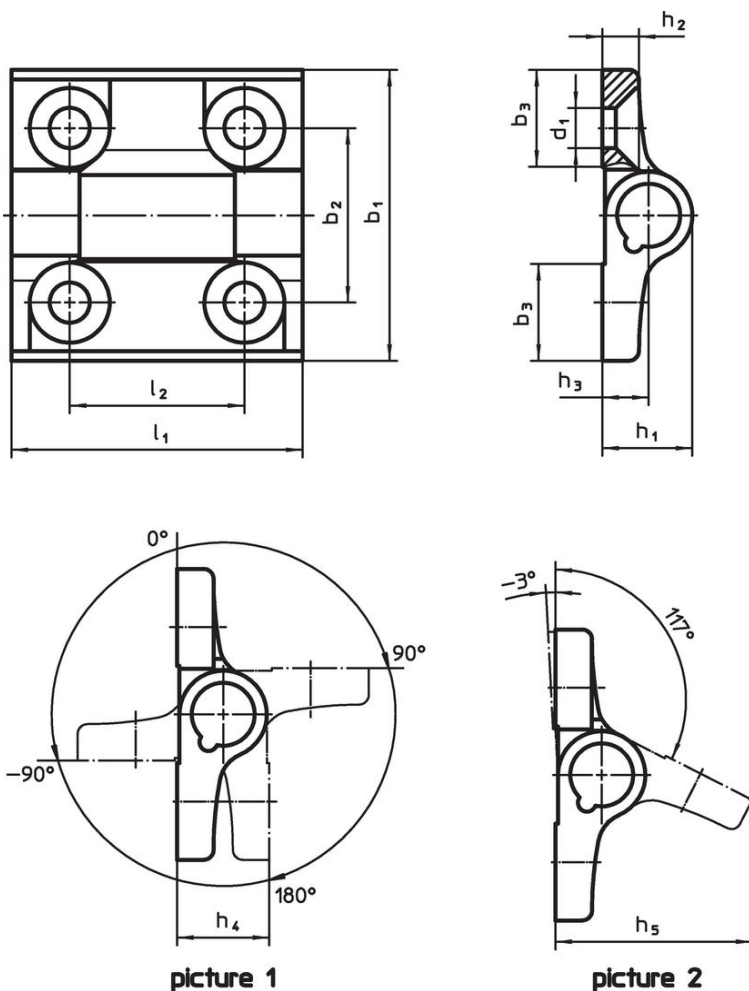
- Spring steel wire

## More information

## Further products

- Spacer Plates, for hinges
- Threaded Plates, for hinges

## Drawing



Order information

Dimensions											max. [°C]	[g]	Art. No.
b <sub>1</sub>	l <sub>1</sub>	b <sub>2</sub>	b <sub>3</sub>	d <sub>1</sub>	h <sub>1</sub>	h <sub>2</sub>	h <sub>3</sub>	h <sub>4</sub>	h <sub>5</sub>	l <sub>2</sub>			
indexing positions -90°, 0°, 90° and 180° – picture 1, Zinc die-cast, silver													
60	60	36	20	8.3	18.5	7.5	9.5	19	40.5	36	80	152	25164.0005
indexing positions -90°, 0°, 90° and 180° – picture 1, Zinc die-cast, black													
60	60	36	20	8.3	18.5	7.5	9.5	19	40.5	36	80	152	25164.0105
indexing positions -3° and 117° – picture 2, Zinc die-cast, silver													
60	60	36	20	8.3	18.5	7.5	9.5	19	40.5	36	80	152	25164.0010
indexing positions -3° and 117° – picture 2, Zinc die-cast, black													
60	60	36	20	8.3	18.5	7.5	9.5	19	40.5	36	80	152	25164.0110

Compliance

For detailed compliance information please select the desired article number.